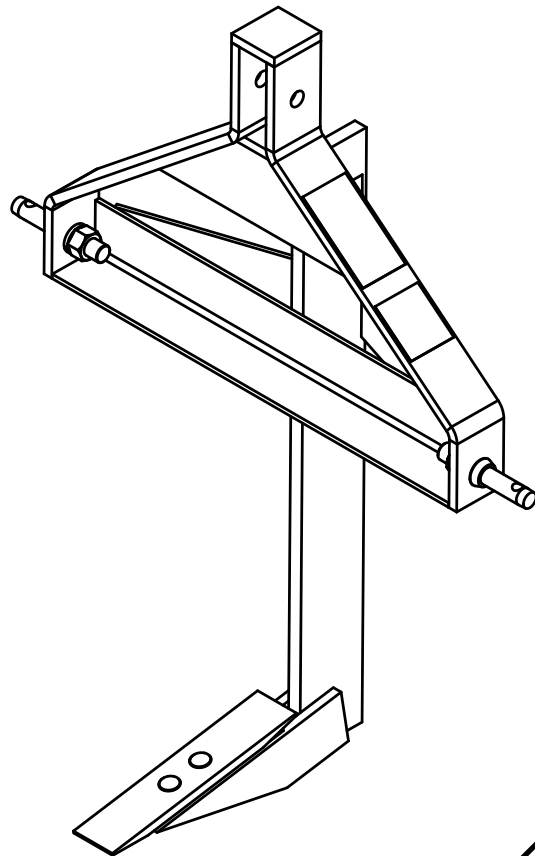
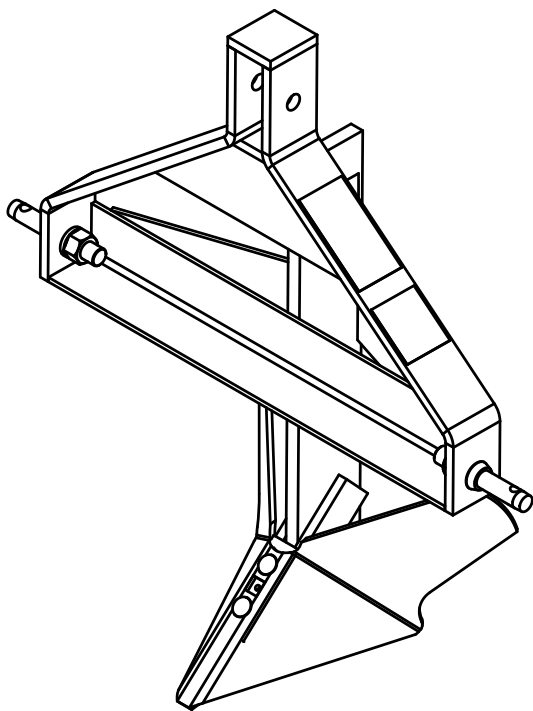




Original Instruction Manual

BREAKER PLOW AND SUBSOILER PLOW



Introduction



Read this manual before operating your Oregon equipment. The information presented will prepare you to do a better and safer job. Keep this manual handy for ready reference. Require all operators to read this manual carefully and become acquainted with all adjustment and operating procedures before attempting to operate. Replacement manuals can be obtained from your dealer. To locate your nearest dealer, check the Dealer Locator at OregonProducts.com, or in the United States and Canada call 1-800-525-8322.



¡LEA EL INSTRUCTIVO! SI NO LEE INGLÉS PIDA AYUDA A ALGUIEN QUE SI LO LEE PARA QUE LE TRADUSCA LAS MEDIDAS DE SEGURIDAD.

The equipment you have purchased has been carefully engineered and manufactured to provide dependable and satisfactory use. Like all mechanical products, it will require cleaning and upkeep. Lubricate the unit as specified. Observe all safety information in this manual and safety decals on the equipment.

This Operator's Manual should be regarded as part of the machine. Suppliers of both new and second-hand machines must make sure this manual is provided with the machine.

For service, your authorized Oregon dealer has trained mechanics, genuine Oregon service parts, and the necessary tools and equipment to handle all your needs.

Use only genuine Oregon service parts. Substitute parts will void the warranty and may not meet standards required for safe and satisfactory operation. Record the model number and serial number of your equipment in the spaces provided:

Serial Number Label Location: See Safety Decal Section

Record the information below for future reference.

Model No _____

Date of Purchase _____

Serial No. _____

Place of Purchase _____


Provide this information to your dealer to obtain correct repair parts.

Table of Contents

Explanation of Signal Words	4
Specifications	5
General Information	5
Safety Rules.	6
Training	6
Preparation	6
Operation	7
Maintenance	8
Storage	8
Safety & Instructional Decals	9
Operation	11
Attaching the Breaker Plow and Subsoiler Plow to the Tractor	11
Operating Procedure	12
Breaker Plow Operations	12
Subsoiler Plow Operations	13
Pre-Operation Check List	14
Owner Service	15
Cleaning	16
Parts Index	17
Bolt Torque Chart.	18
SAE Series Torque Chart	18
Metric Series Torque Chart	19
Bolt Size Chart	20
Abbreviations	21
Limited Warranty.	22

Explanation of Signal Words

This section contains safety information for the Oregon Breaker Plow and Oregon 22 Subsoiler Plow. Throughout this manual, the terms **DANGER**, **WARNING**, and **CAUTION** are used in conjunction with the Safety-Alert Symbol (a triangle with an exclamation mark) to indicate the degree of hazard for items of personal safety. The term **NOTICE** is used to indicate that failure to observe can cause damage to equipment.

 This is the safety alert symbol. It is used to alert you to potential physical injury hazards. Obey all safety messages that follow this symbol to avoid possible injury or death.



Indicates a hazard with a high level of risk which, if not avoided, will result in death or serious injury.



Indicates a hazard with a medium level of risk which, if not avoided, could result in death or serious injury.



Indicates a hazard with a low level of risk which, if not avoided, could result in minor or moderate injury.

NOTICE

Indicates a potential situation exists which, if not avoided, may result in damage to your equipment or property.

Specifications

	Oregon Breaker Plow	Oregon 22 Subsoiler Plow
Manufacturer material number	ORVBPB-1	OR22SS-1
Point Width	15"	2.5"
Maximum Tilling Depth	12"	22"
Operating Weight	76 lbs	82 lbs
Tractor Hitch	Category 1	Category 1
Tractor PTO Horsepower	35 HP Max	35 HP Max

General Information



WARNING Some illustrations in this manual show the equipment with safety shields removed to provide a better view. This equipment should never be operated with any necessary safety shielding removed.

The purpose of this manual is to assist you in operating and maintaining your 3-point equipment. Read it carefully. It furnishes information and instructions that will help you achieve years of dependable performance. These instructions have been compiled from extensive field experience and engineering data. Some information may be general in nature due to unknown and varying operating conditions. However, through experience and these instructions, you should be able to develop procedures suitable to your particular situation.

The illustrations and data used in this manual were current at the time of printing but, due to possible inline production changes, your machine may vary slightly in detail. We reserve the right to redesign and change the machines as may be necessary without notification.

Throughout this manual, references are made to right and left directions. These are determined by standing behind the equipment, facing the direction of the forward travel.

Safety Rules



ATTENTION! Become alert! Your safety is involved!

Safety is a primary concern in the design and manufacture of our products. Unfortunately, our efforts to provide safe equipment can be wiped out by an operator's single careless act. In addition to the design and configuration of equipment, hazard control and accident prevention are dependent upon the awareness, concern, judgment, and proper training of personnel involved in the operation, transport, maintenance and storage of equipment. It has been said "The best safety device is an informed, careful operator." We ask you to be that kind of operator.

Training

- Safety instructions are important! Read all attachment and power unit manuals; follow all safety rules and safety decal information. (Replacement manuals and safety decals are available from your dealer. To locate your nearest dealer, check the Dealer Locator at OregonProducts.com, or in the United States and Canada call 1-800-525-8322.) Failure to follow instructions or safety rules can result in serious injury or death.
- If you do not understand any part of this manual and need assistance, see your dealer.
- Know your controls and how to stop engine and attachment quickly in an emergency.
- Operators must be instructed in and be capable of the safe operation of the equipment, its attachments, and all controls. Do not allow anyone to operate this equipment without proper instructions.
- Never allow children or untrained persons to operate equipment.

Preparation

- Check that all hardware is properly installed. Always tighten to torque chart specifications unless instructed otherwise in this manual.
- Always wear relatively tight and belted clothing to avoid getting caught in moving parts. Wear sturdy, rough-soled work shoes and protective equipment for eyes, hair, hands, hearing, and head; and respirator or filter mask where appropriate.
- Make sure attachment is properly secured, adjusted, and in good operating condition.
- Power unit must be equipped with ROPS or ROPS cab and seat belt. Keep seat belt securely fastened. Falling off power unit can result in death from being run over or crushed. Keep foldable ROPS systems in "locked up" position at all times.
- Remove accumulated debris from this equipment, power unit, and engine to avoid fire hazard.
- Make sure all safety decals are installed. Replace if damaged. (See Safety Decals section for location.)
- Make sure shields and guards are properly installed and in good condition. Replace if damaged.
- A minimum 20% of tractor and equipment weight must be on the tractor front wheels when attachments are in transport position. Without this weight, front tractor wheels could raise up resulting in loss of steering. The weight may be attained with front wheel weights, ballast in tires, front tractor weights or front loader. Weigh the tractor and equipment. Do not estimate.
- Inspect and clear area of stones, branches, or other hard objects that might be thrown, causing injury or damage.

Operation

- Do not allow bystanders in the area when operating, attaching, removing, assembling, or servicing equipment.
- Keep bystanders away from equipment.
- Do not operate equipment while under the influence of alcohol or drugs.
- Operate only in daylight or good artificial light.
- Keep hands, feet, hair, and clothing away from equipment while engine is running. Stay clear of all moving parts.
- Always comply with all state and local lighting and marking requirements.
- Never allow riders on power unit or attachment.
- Power unit must be equipped with ROPS or ROPS cab and seat belt. Keep seat belt securely fastened. Falling off power unit can result in death from being run over or crushed. Keep foldable ROPS systems in “locked up” position at all times.
- Always sit in power unit seat when operating controls or starting engine. Securely fasten seat belt, place transmission in neutral, engage brake, and ensure all other controls are disengaged before starting power unit engine.
- Look down and to the rear and make sure area is clear before traveling in reverse.
- Use extreme care when working close to fences, ditches, other obstructions, or on hillsides.
- Do not operate or transport on steep slopes.
- Do not stop, start, or change directions suddenly on slopes.
- Use extreme care and reduce ground speed on slopes and rough terrain.
- Watch for hidden hazards on the terrain during operation.
- Stop power unit and equipment immediately upon striking an obstruction. Turn off engine, remove key, inspect, and repair any damage before resuming operation.
- Before dismounting power unit or performing any service or maintenance, follow these steps: disengage power to equipment, lower the 3-point hitch and all raised components to the ground, operate valve levers to release any hydraulic pressure, set parking brake, stop engine, remove key, and unfasten seat belt.
- Never go underneath equipment (lowered to the ground or raised) unless it is properly blocked and secured. Never place any part of the body underneath equipment or between moveable parts even when the engine has been turned off. Hydraulic system leak down, hydraulic system failures, mechanical failures, or movement of control levers can cause equipment to drop or rotate unexpectedly and cause severe injury or death. Follow Operator’s Manual instructions for working underneath and blocking requirements or have work done by a qualified dealer.

Maintenance

- Service and maintenance work not covered in OWNER SERVICE must be done by a qualified dealership. Special skills, tools, and safety procedures may be required. Failure to follow these instructions can result in serious injury or death.
- Before dismounting power unit or performing any service or maintenance, follow these steps: disengage power to equipment, lower the 3-point hitch and all raised components to the ground, operate valve levers to release any hydraulic pressure, set parking brake, stop engine, remove key, and unfasten seat belt.
- Never go underneath equipment (lowered to the ground or raised) unless it is properly blocked and secured. Never place any part of the body underneath equipment or between moveable parts even when the engine has been turned off. Hydraulic system leak down, hydraulic system failures, mechanical failures, or movement of control levers can cause equipment to drop or rotate unexpectedly and cause severe injury or death. Follow Operator's Manual instructions for working underneath and blocking requirements or have work done by a qualified dealer.
- Do not modify or alter or permit anyone else to modify or alter the equipment or any of its components in any way.
- Your dealer can supply original equipment hydraulic accessories and repair parts. Substitute parts may not meet original equipment specifications and may be dangerous.
- Always wear relatively tight and belted clothing to avoid entanglement in moving parts. Wear sturdy, rough-soled work shoes and protective equipment for eyes, hair, hands, hearing, and head.
- Do not allow bystanders in the area when operating, attaching, removing, assembling, or servicing equipment.
- Make sure attachment is properly secured, adjusted, and in good operating condition.
- Never perform service or maintenance with engine running.
- Keep all persons away from operator control area while performing adjustments, service, or maintenance.
- Tighten all bolts, nuts, and screws to torque chart specifications.
- Make sure all safety decals are installed. Replace if damaged. (See Safety Decals section for location.)
- If shields are provided, make sure shields and guards are properly installed and in good condition. Replace if damaged.
- Use a suitable lifting device of sufficient capacity. Use adequate personnel to handle heavy components.

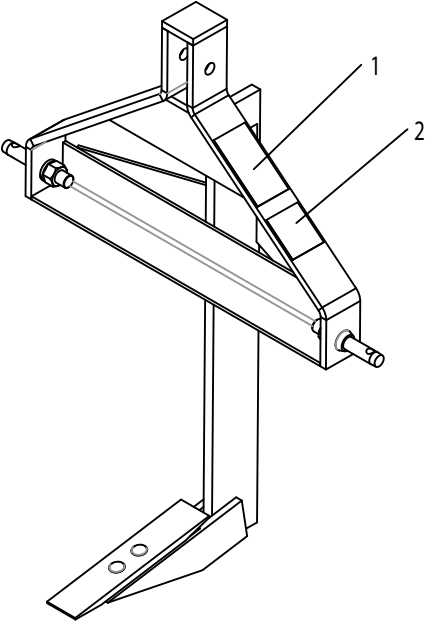
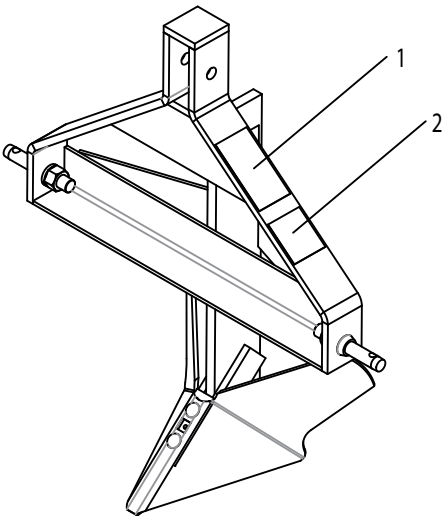
Storage

- Follow manual instructions for storage.
- Keep children and bystanders away from storage area.

Safety & Instructional Decals

! ATTENTION! Become alert! Your safety is involved!

Replace immediately if damaged!



1 - PN 629776

2 - PN 629777

! **WARNING**

TO AVOID SERIOUS INJURY OR DEATH

- Use lifting aids or ask for help when lifting or handling.
- Never allow riders on power unit or attachment.
- Store securely on flat surface.
- Visit www.clickbeforeyoudig.com or call 811 for information about buried utilities.

FAILURE TO FOLLOW THESE INSTRUCTIONS CAN RESULT IN DEATH OR SERIOUS INJURY

629776 AA 08/21

NOTICE

Lift shank when transporting to prevent damage to shank or ground.

629777 AA 08/21

Be Careful!

- Keep safety decals clean and visible. Use a clean, damp cloth to clean safety decals.
- Avoid spraying too close to decals when using a pressure washer; high-pressure water can enter through very small scratches or under edges of decals causing them to peel or come off.
- Replace safety decals if they are missing or illegible. Replacement safety decals can be ordered free from your Oregon dealer. To locate your nearest dealer, check the Dealer Locator at OregonProducts.com, or in the United States and Canada call 1-800-525-8322.

Operation

The operator is responsible for the safe operation of the Breaker Plow and Subsoiler Plow. The operator must be properly trained. Operator should be familiar with the tractor, the Breaker Plow and Subsoiler Plow, and all safety practices before starting operation. Read the safety rules and safety decals on page 6 through page 9.

WARNING

- Safety instructions are important! Read all attachment and power unit manuals; follow all safety rules and safety decal information. (Replacement manuals and safety decals are available from your dealer. To locate your nearest dealer, check the Dealer Locator at OregonProducts.com, or in the United States and Canada call 1-800-525-8322.) Failure to follow instructions or safety rules can result in serious injury or death.
- Power unit must be equipped with ROPS or ROPS cab and seat belt. Keep seat belt securely fastened. Falling off power unit can result in death from being run over or crushed. Keep foldable ROPS system in “locked up” position at all times.
- Do not allow bystanders in the area when operating, attaching, removing, assembling, or servicing equipment.
- Never allow children or untrained persons to operate equipment.
- Never go underneath equipment (lowered to the ground or raised) unless it is properly blocked and secured. Never place any part of the body underneath equipment or between moveable parts even when the engine has been turned off. Hydraulic system leak down, hydraulic system failures, mechanical failures, or movement of control levers can cause equipment to drop or rotate unexpectedly and cause severe injury or death. Follow Operator's Manual instructions for working underneath and blocking requirements or have work done by a qualified dealer.

WARNING

- Before dismounting power unit or performing any service or maintenance, follow these steps: disengage power to equipment, lower the 3-point hitch and all raised components to the ground, operate valve levers to release any hydraulic pressure, set parking brake, stop engine, remove key, and unfasten seat belt.
- Make sure attachment is properly secured, adjusted, and in good operating condition.

Attaching the Breaker Plow and Subsoiler Plow to the Tractor

1. Move the tractor into position in front of the tool. Move back slowly and carefully, not allowing anyone to be between the tractor and the tool.
2. Shut off the engine, set brake, remove key and remove seat belt. Dismount the tractor.
3. Place the two lower arms of the 3-point hitch over outer lift pins. Secure with locking style hitch pins (not provided).
4. Attach the tractor center link to the upper hitch point of the tool. Adjust the length of the center link until the leading edge of the shank is perpendicular to the ground.
5. Adjust the tractor lower 3-point arm anti-sway devices to prevent the tool from swinging side to side during transport.

Operating Procedure

⚠ WARNING

- Read and understand this manual and tractor operator's manuals before operating the unit. Failure to do so may result in death, serious personal injury or property damage.
- Shut off the engine, set brake, remove key and remove seat belt. Dismount the tractor.

Tractor Stability

⚠ WARNING

A minimum 20% of tractor and equipment weight must be on the tractor front wheels when attachments are in transport position. Without this weight, front tractor wheels could raise up resulting in loss of steering. The weight may be attained with front wheel weights, ballast in tires or front tractor weights. Weigh the tractor and equipment. Do not estimate.

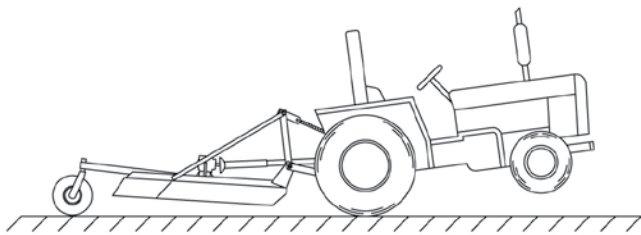


Figure 1. Tractor Stability (Typical)

Breaker Plow Operations

General Operation:

- The Breaker Plow is not intended to go into ground covered in vegetation or sod. First till your soil to cut, bury or remove vegetation. After soil has been tilled, the Breaker Plow can be used to create a furrows or hills for planting crops.
- The Breaker Plow is intended to be used in dry soil conditions.
- When operating the plow, avoid large obstacles that may cause damage to the plow, linkage or tractor.
- If your tractor is equipped with draft control, you may need to make adjustments for best performance of the Plow. Start with the draft control set in the middle position. If the tractor tires spins once the plow is put into the ground you will need to lower the draft control, if the plow rides up out of the ground or skips on top of the ground you will need to increase the amount of draft control.
- Always operate at a slow speed.
- For consistent depth of your furrow, plow going downhill when possible.
- If your tractor is equipped with draft control, you may need to make adjustments for best performance.
- If soil or debris starts to build up on the furrower or plow frame, first stop the tractor and raise the implement. This will clear most soil and debris. If the soil or debris does not clear after raising implement, stop the tractor, raise the implement, set your parking brake, turn off the tractor and clean the plow and frame.

Furrowing:

- The Breaker Plow can be used to dig a furrow to plant crops like potatoes.
- With the plow attached to your tractor's three point hitch, start the tractor moving at a slow speed and lower the plow into the ground. Continue to lower the plow until you reach the desired depth.
- Once you have a furrow dug at the desired depth (typically 6-8" depth) you can plant your seed.
- With your seed planted pull your dirt back in from both sides and cover seed.

Hilling:

- The Breaker Plow can also be used to create hills or raise beds for planting crops like tomatoes or root vegetables.
- With the plow attached to your tractor's three point hitch, start the tractor moving at a slow speed and lower the plow into the ground. Continue to lower the plow until you bring up enough dirt to build a hill of the desired height. Multiple passes can be made to create hills and furrows.
- Once you have hills built using your Breaker Plow you can plant your seed directly into the hill.

Ditching:

- The Breaker Plow can also be used for creating a ditch for drainage.
- With the plow attached to your tractor's three point hitch, start the tractor moving at a slow speed and lower the plow into the ground. Continue to lower the plow until you create a ditch deep enough to drain the area holding water. Continue your ditch to an area where the water is free to drain.

Subsoiler Plow Operations

General Operation:

- The Subsoiler Plow is not intended to go into ground covered in vegetation or sod. First till your soil to cut, bury or remove vegetation. After soil has been tilled, the Subsoiler Plow can be used to create openings in the hard pan in your soil allowing better drainage of water and giving roots an opportunity to grow deeper to available water.

Fracturing Hard Pan:

- With the Subsoiler Plow attached to your tractor's three point hitch, start the tractor moving at a slow speed and lower the Subsoiler Plow into the ground. Continue to lower the Subsoiler Plow until you get below your normal tillage depth.

NOTICE

After tilling for the first half hour, check for loose blades and re-tighten any loose hardware.

Pre-Operation Check List

(Owner's Responsibility)

- Review and follow all safety rules and safety decal instructions on page 6 through page 9.
- Check that all safety decals are installed and in good condition. Replace if damaged.
- Check that all shields and guards are properly installed and in good condition. Replace if damaged.
- Check that all hardware is properly installed and secured.
- Check that equipment is properly and securely attached to tractor.
- Do not allow riders.
- Keep all bystanders away from equipment working area.
- Make sure tractor ROPS or ROPS CAB and seat belt are in good condition. Keep seat belt securely fastened during operation.
- Check the condition of the point. Replace the point if broken or excessively worn.

Owner Service

The information in this section is written for operators who possess basic mechanical skills. If you need help, your dealer has trained service technicians available. For your protection, read and follow the safety information in this manual.

WARNING

- Keep all persons away from operator control area while performing adjustments, service, or maintenance.
- Make sure shields and guards are properly installed and in good condition. Replace if damaged.
- Make sure all safety decals are installed. Replace if damaged. (See Safety Decals section for location.)

CAUTION

- If you do not understand any part of this manual and need assistance, see your dealer.
- Always wear relatively tight and belted clothing to avoid getting caught in moving parts. Wear sturdy, rough-soled work shoes and protective equipment for eyes, hair, hands, hearing, and head; and respirator or filter mask where appropriate.

WARNING

- Before dismounting power unit or performing any service or maintenance, follow these steps: disengage power to equipment, lower the 3-point hitch and all raised components to the ground, operate valve levers to release any hydraulic pressure, set parking brake, stop engine, remove key, and unfasten seat belt.
- Do not allow bystanders in the area when operating, attaching, removing, assembling, or servicing equipment.
- Never perform service or maintenance with engine running.
- Do not modify or alter or permit anyone else to modify or alter the equipment or any of its components in any way.
- Never go underneath equipment (lowered to the ground or raised) unless it is properly blocked and secured. Never place any part of the body underneath equipment or between moveable parts even when the engine has been turned off. Hydraulic system leak down, hydraulic system failures, mechanical failures, or movement of control levers can cause equipment to drop or rotate unexpectedly and cause severe injury or death. Follow Operator's Manual instructions for working underneath and blocking requirements or have work done by a qualified dealer.

Regular preventive maintenance and immediate repair of broken or worn parts will ensure maximum efficiency and long life.

Cleaning

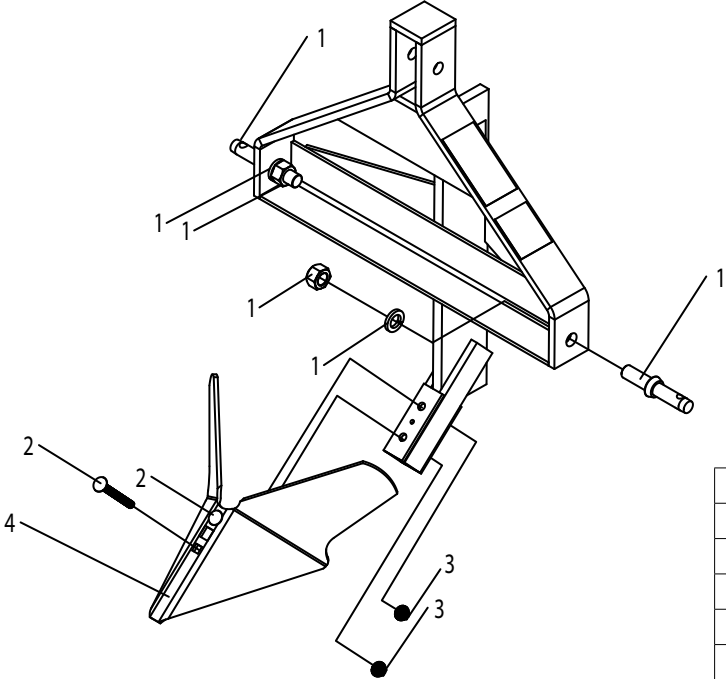
After Each Use

- Remove large debris such as clumps of dirt, grass, crop residue, etc. from machine.
- Inspect machine and replace worn or damaged parts.
- Replace any safety decals that are missing or not readable.

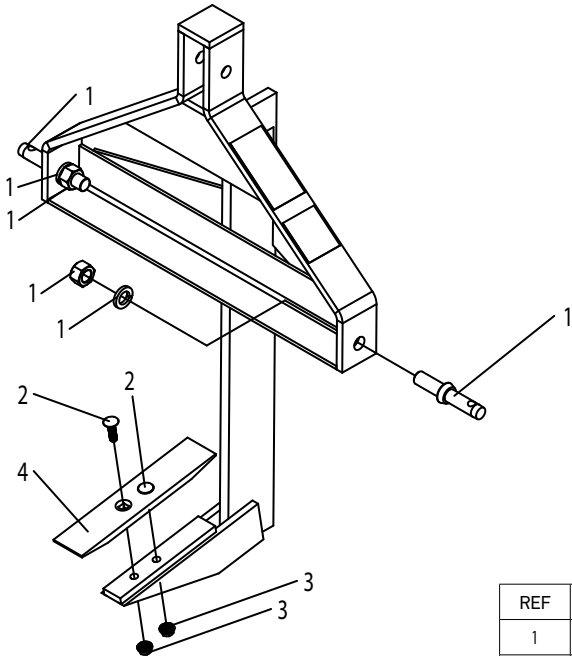
Periodically or Before Extended Storage

- Clean large debris such as clumps of dirt, grass, crop residue, etc. from machine.
- Remove the remainder using a low-pressure water spray.
 1. Be careful when spraying near scratched or torn safety decals or near edges of decals as water spray can peel decal off surface.
 2. Be careful when spraying near chipped or scratched paint as water spray can lift paint.
 3. If a pressure washer is used, follow the advice of the pressure washer manufacturer.
- Inspect machine and replace worn or damaged parts.
- Sand down scratches and the edges of areas of missing paint and coat with Oregon spray paint of matching color (purchase from your Oregon dealer).
- Replace any safety decals that are missing or not readable (supplied free through your Oregon dealer). See Safety Decals section for location drawing.
- Lower skid shoes and park stand to the lowest position for stability during storage.

Parts Index



REF	QTY	PART	DESCRIPTION
1	2	33661	LIFT PIN W/ NUT
2	2	*	BOLT CRG 7/16 NC X 4
3	2	*	NUT WHIZ 7/16 NC FLANGE
4	1	629785	PLOW BREAKER POINT
* HARDWARE IS NOT INCLUDED.			



REF	QTY	PART	DESCRIPTION
1	2	33661	LIFT PIN W/ NUT
2	2	*	BOLT CRG 7/16 NC X 1-1/2
3	2	*	NUT WHIZ 7/16 NC FLANGE
4	1	629786	SUB-SOILER POINT
* HARDWARE IS NOT INCLUDED.			

Bolt Torque Chart

Always tighten hardware to these values unless a different torque value or tightening procedure is listed for a specific application.

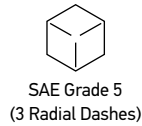
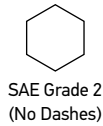
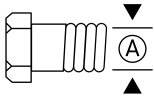
Fasteners must always be replaced with the same grade as specified in the manual parts list.

Always use the proper tool for tightening hardware: SAE for SAE hardware and Metric for metric hardware. Make sure fastener threads are clean and you start thread engagement properly.

All torque values are given to specifications used on hardware defined by SAE J1701 MAR 99 & J1701M JUL 96.

SAE Series Torque Chart

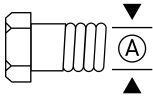
SAE Bolt Head Identification



Ⓐ Diameter (Inches)	Wrench Size	Marking on Head					
		SAE 2		SAE 5		SAE 8	
		lbs-ft	N-m	lbs-ft	N-m	lbs-ft	N-m
1/4"	7/16"	6	8	10	13	14	18
5/16"	1/2"	12	17	19	26	27	37
3/8"	9/16"	23	31	35	47	49	67
7/16"	5/8"	36	48	55	75	78	106
1/2"	3/4"	55	75	85	115	120	163
9/16"	13/16"	78	106	121	164	171	232
5/8"	15/16"	110	149	170	230	240	325
3/4"	1-1/8"	192	261	297	403	420	569
7/8"	1-5/16"	306	416	474	642	669	907
1"	1-1/2"	467	634	722	979	1020	1383

Metric Series Torque Chart

Metric Bolt Head Identification



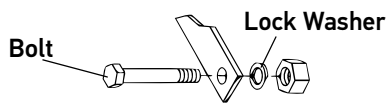
Metric
Grade 8.8



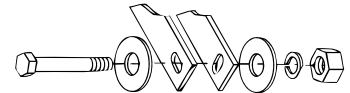
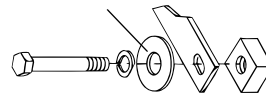
Metric
Grade 10.9

Ⓐ Diameter & Thread Pitch (Millimeters)	Wrench Size	Coarse Thread				Fine Thread				Ⓐ Diameter & Thread Pitch (Millimeters)
		Marking on Head				Marking on Head				
		Metric 8.8		Metric 10.9		Metric 8.8		Metric 10.9		
		N-m	lbs-ft	N-m	lbs-ft	N-m	lbs-ft	N-m	lbs-ft	
6 x 1.0	10 mm	8	6	11	8	8	6	11	8	6 x 1.0
8 x 1.25	13 mm	20	15	27	20	21	16	29	22	8 x 1.0
10 x 1.5	16 mm	39	29	54	40	41	30	57	42	10 x 1.25
12 x 1.75	18 mm	68	50	94	70	75	55	103	76	12 x 1.25
14 x 2.0	21 mm	109	80	151	111	118	87	163	120	14 x 1.5
16 x 2.0	24 mm	169	125	234	173	181	133	250	184	16 x 1.5
18 x 2.5	27 mm	234	172	323	239	263	194	363	268	18 x 1.5
20 x 2.5	30 mm	330	244	457	337	367	270	507	374	20 x 1.5
22 x 2.5	34 mm	451	332	623	460	495	365	684	505	22 x 1.5
24 x 3.0	36 mm	571	421	790	583	623	459	861	635	24 x 2.0
30 x 3.0	46 mm	1175	867	1626	1199	1258	928	1740	1283	30 x 2.0

Typical Washer Installations



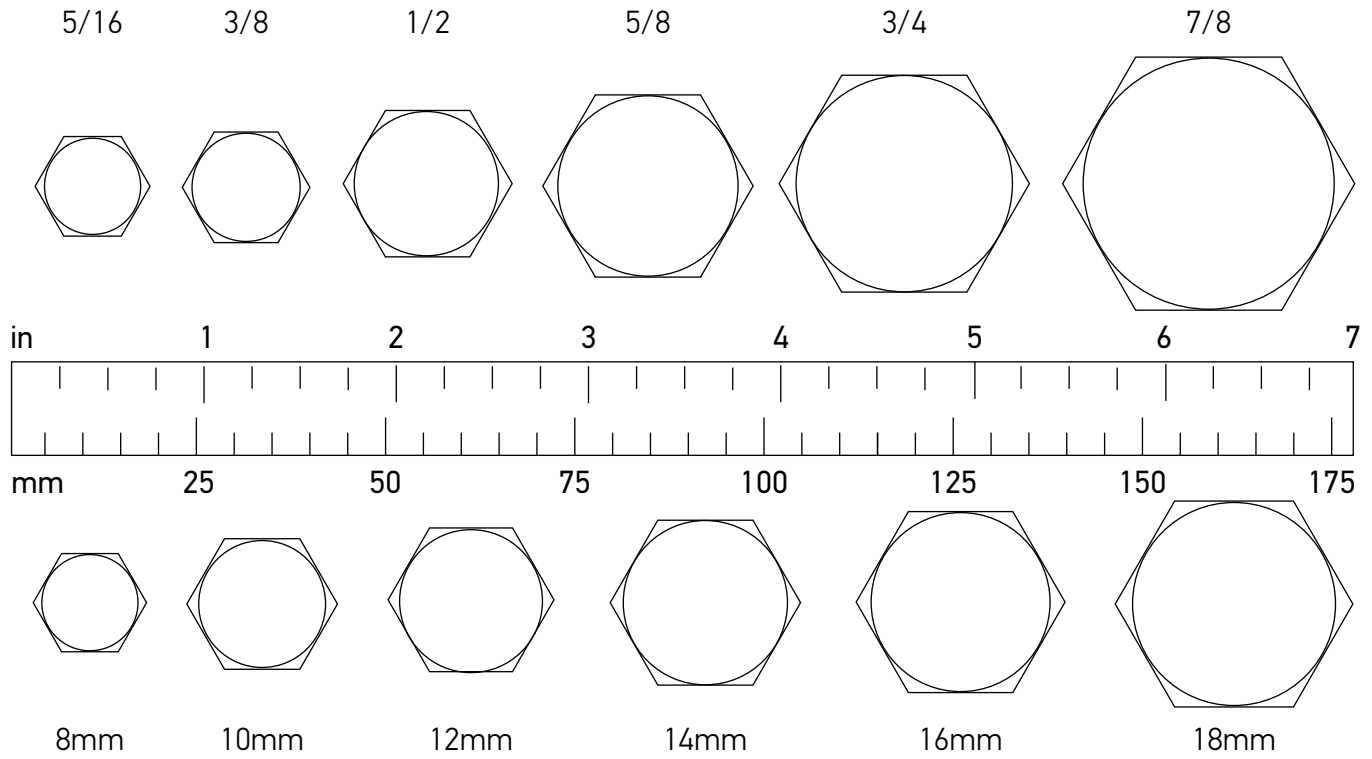
Flat Washer



Bolt Size Chart

NOTICE Chart shows bolt thread sizes and corresponding head (wrench) sizes for standard SAE and metric bolts.

SAE Bolt Thread Sizes



Metric Bolt Thread Sizes

Abbreviations

AG	Agriculture
ASABE	American Society of Agricultural & Biological Engineers (formerly ASAE)
ASAE	American Society of Agricultural Engineers
ATF	Automatic Transmission Fluid
BSPP	British Standard Pipe Parallel
BSPTM	British Standard Pipe Tapered Male
CV	Constant Velocity
CCW	Counter-Clockwise
CW	Clockwise
F	Female
FT	Full Thread
GA	Gauge

GR (5, etc.)	Grade (5, etc.)
HHCS	Hex Head Cap Screw
HT	Heat-Treated
JIC	Joint Industry Council 37° Degree Flare
LH	Left Hand
LT	Left
m	Meter
mm	Millimeter
M	Male
MPa	Mega Pascal
N	Newton
NC	National Coarse
NF	National Fine
NPSM	National Pipe Straight Mechanical
NPT	National Pipe Tapered

NPT SWF	National Pipe Tapered Swivel Female
ORB	O-Ring Boss - Male
P	Pitch
PBY	Power-Beyond
psi	Pounds per Square Inch
PTO	Power Take Off
QD	Quick Disconnect
RH	Right Hand
ROPS	Roll-Over Protective Structure
RPM	Revolutions Per Minute
RT	Right
SAE	Society of Automotive Engineers
UNC.	Unified Coarse
UNF	Unified Fine
UNS	Unified Special

Limited Warranty

This 3-point implement is guaranteed to be free from defects in material and workmanship for the normal service life of the product not to exceed 12 consecutive months from the date of purchase.

- Oregon will repair or replace at Oregon's sole discretion, free of charge, any part or parts of the 3-point implement that are judged to be defective in material or workmanship during the limited warranty period stated above.

The limited warranty does not cover parts that in the judgement of the manufacturer have been subjected to negligent use, misuse, alteration, accident, disassembled in any way or if repairs have been made by anyone except an authorized Oregon service center. Warranty claims must include the product serial number, model number and proof of purchase. All claims must be submitted through an authorized Oregon service center and within thirty days of the date of failure. All costs associated with transporting the equipment, and or defective part, to the service center are to be paid by the purchaser. Costs resulting from a denied claim are the responsibility of the purchaser. This warranty is not transferable and applies to the original purchaser only.

DISCLAIMER OF OTHER WARRANTIES: THIS LIMITED WARRANTY IS THE ONLY WARRANTY FOR THIS PRODUCT. OREGON MAKES NO OTHER WARRANTY, EXPRESS OR IMPLIED, INCLUDING ANY IMPLIED WARRANTY OF MERCHANTABILITY OR FITNESS FOR A PARTICULAR PURPOSE, WITH RESPECT TO THIS PRODUCT. ALL SUCH WARRANTIES ARE EXPRESSLY DENIED.

LIMITATIONS OF LIABILITY: MANUFACTURER ASSUMES NO LIABILITY FOR INCIDENTAL, CONSEQUENTIAL OR PUNITIVE DAMAGES IN CONNECTION WITH THE USE OF THIS PRODUCT, INCLUDING BUT NOT LIMITED TO LIABILITY FOR INJURY, LOSS OF LIFE, PROPERTY DAMAGE, LOSS OF USE, LOSS OF TIME, INCONVENIENCE OR COMMERCIAL LOSS. ANY AND ALL SUCH LIABILITY IS EXPRESSLY EXCLUDED. THESE LIMITATIONS OF LIABILITY APPLY TO ALL SUCH CLAIMS. IN NO EVENT SHALL OREGON BE RESPONSIBLE FOR ANY AMOUNT EXCEEDING THE PURCHASE PRICE OF THIS PRODUCT.



Oregon Tool, Inc.
4909 SE International Way
Portland, Oregon 97222 USA
800-525-8322

OregonProducts.com